

SLP-275 V/4

SLP-275 V/4S

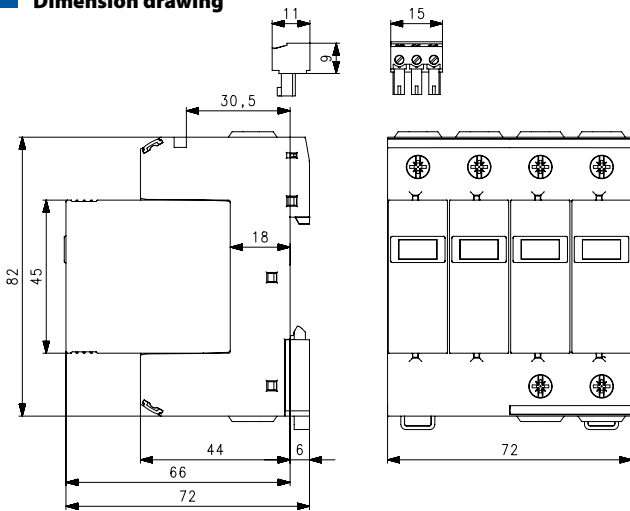
SPD type 2 – surge arrester 4-pole arrester for 3-phase TNS networks

4-pole varistor surge protection to be installed in low-voltage distributions at the boundary of LPZ 1 and LPZ 2 zones to protect the distributions and equipment against overvoltage effects induced during a lightning strike and to prevent switching overvoltage.

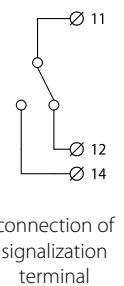
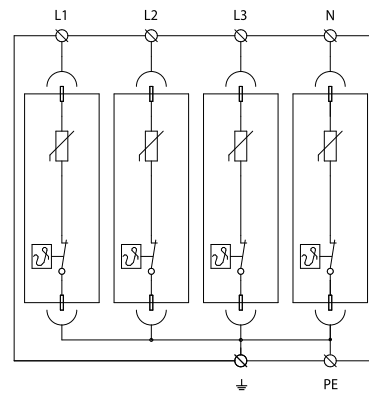
Optional remote status signalling (S).



Dimension drawing



Basic circuit diagram



connection of
signalization
terminal

Technical data

		SLP-275 V/4
Nominal voltage	U_n	230 V AC
Maximum operating voltage	U_c	275 V AC / 350 V DC
Nominal discharge current (8/20 μ s)/pole	I_n	20 kA
Maximum discharge current (8/20 μ s)/pole	I_{max}	40 kA
Voltage protection level @ $I = 5$ kA (8/20 μ s)	U_p	0,9 kV
Voltage protection level	U_p	1,2 kV
Response time	t_a	25 ns
Short-circuit proof at maximum overcurrent protection		50 kA _{rms}
Maximum overcurrent protection		160 A gL/gG
Degree of protection		IP 20
Range of operating temperatures		-40 °C ... +80 °C
Mounting on		DIN rail 35 mm
Cross-section of connected conductors		
Solid min/max		ISO: 1/35 mm ² ; AWG: 17/2
Stranded min/max		ISO: 1/25 mm ² ; AWG: 17/4
Fault indication		red indication field
Remote indication – S design		potential-free change-over contact
Remote indication contacts		250 V / 0,5 A AC, 250 V / 0,1 A DC
Cross-section of remote indication conductors		max. 1,5 mm ²
Meets the requirements of standard		IEC 61643-11 ed. 1.0 EN 6163-11:2012
Ordering number	SLP-275 V/4	8595090517221
	SLP-275 V/4S	8595090517634
Replacement module	SLP-275 V/0	8595090523680