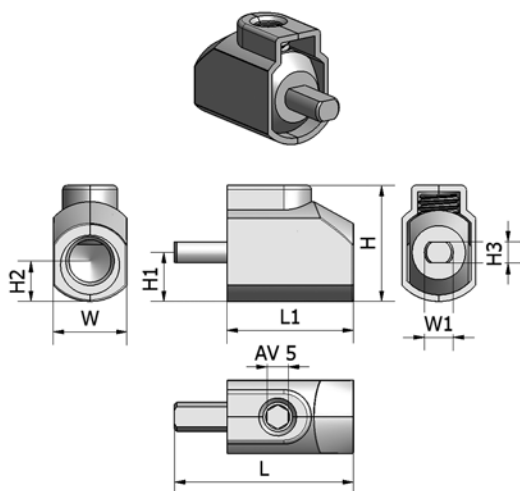
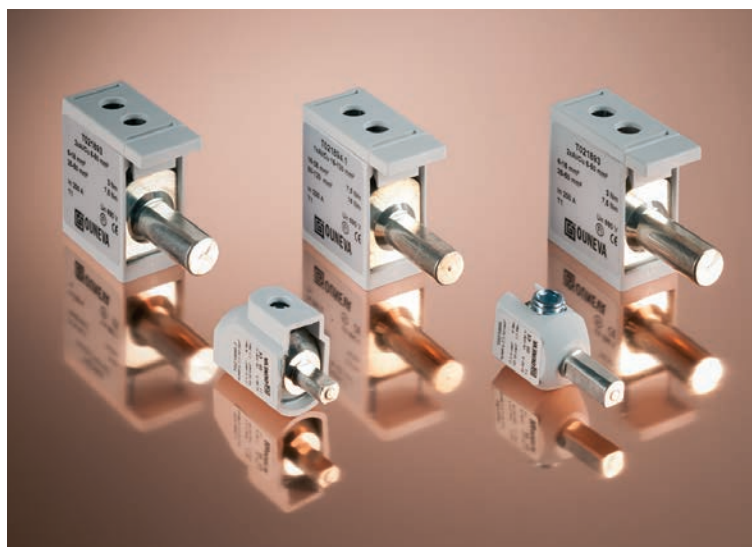


# Device connectors



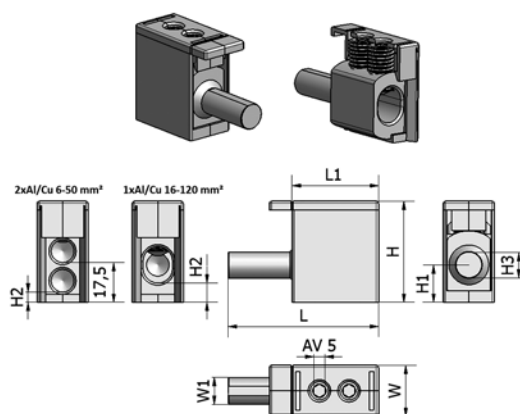
Device connectors are designed to be used with aluminium and copper cables. The material of the body and tightening screws is aluminium with tin plating. Plastic cover is made of self-extinguishing polyamide.



Device connector 2,5-50 mm<sup>2</sup> (VC06-0004)



VC06-0002 / VC06-0003



Device connector 2x6-50 mm<sup>2</sup>/16-120 mm<sup>2</sup>

STK code	Product code	Conductor (mm <sup>2</sup> )	Un (V)	In (A)	L (mm)	L1 (mm)	H (mm)	H1 (mm)	H2 (mm)	H3 (mm)	W (mm)	W1 (mm)	AV (mm)	Tightening torque	Weight (g)	Package (pce)
52 024 02	VC06-0002	1xAl/Cu 2,5-50	690	80 (Cu)/75 (Al)	42	25	26	11,5	9,5	7	17	7	5	3 Nm (2,5-6 mm <sup>2</sup> ), 7,5 Nm (10-50 mm <sup>2</sup> )	15	50
52 024 03	VC06-0003	1xAl/Cu 2,5-50	690	80 (Cu)/75 (Al)	39	25	26	11,5	9,5	6	17	6,9	5	3 Nm (2,5-6 mm <sup>2</sup> ), 7,5 Nm (10-50 mm <sup>2</sup> )	16	50
52 024 08	VC06-0004	1xAl/Cu 2,5-50	690	80 (Cu)/75 (Al)	42,5	30	27,5	11,5	9,5	5	17,5	6,9	5	3 Nm (2,5-6 mm <sup>2</sup> ), 7,5 Nm (10-50 mm <sup>2</sup> )	17	50
52 011 91	VC06-0005	2xAl/Cu 6-50	690	200 (Cu)/190 (Al)	65,5	38	44,5	16,5	4,5	11,4	22,5	11,8	5	3 Nm (6-16 mm <sup>2</sup> ), 7,5 Nm (25-50 mm <sup>2</sup> )	59	30
52 024 22	VC06-0006	1xAl/Cu 16-120	690	200 (Cu)/190 (Al)	65,5	38	44,5	16,5	8,5	11,4	22,5	11,8	5	7,5 Nm (16-35 mm <sup>2</sup> ), 16 Nm (50-120 mm <sup>2</sup> )	52	30
52 004 04	VC06-0007	1xAl/Cu 16-120	690	200 (Cu)/190 (Al)	65,5	38	44,5	16,5	8,5	10	22,5	10,5	5	7,5 Nm (16-35 mm <sup>2</sup> ), 16 Nm (50-120 mm <sup>2</sup> )	51	30