

Product data

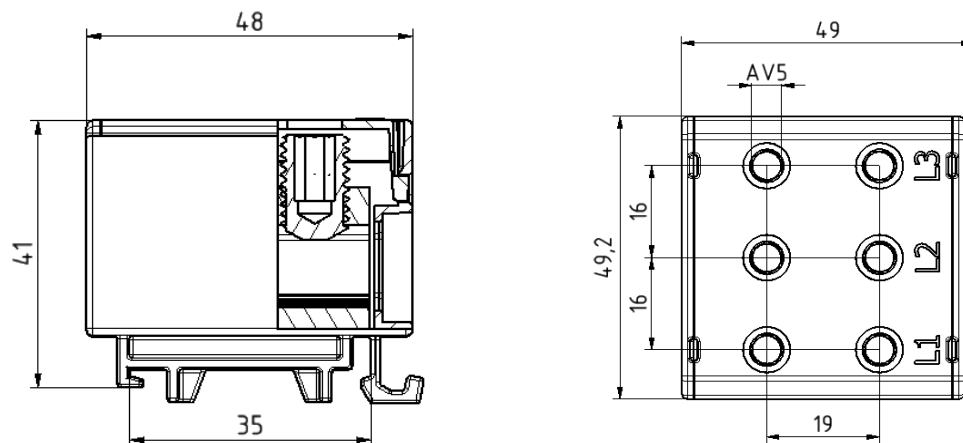
Product code	VC05-0054	STK-code	1914109	EAN-code	6410019141092
Product name	OTL-connector 3xAl/Cu (1x50 mm ²) Grey				
Wires	3xAl/Cu (1x50 mm ²)				

Technical data

Nominal current	Cu	160	A
	Al	145	A
Nominal voltage		690	V
Max. Current (US)	Cu	150	A
	Al	120	A
Max. Voltage (US)		600	V
Number of pole		1	pcs
Max. Cross section		50	mm ²
Tightening torque	1,5-2,5 mm ²	1,5	Nm
	4-10 mm ²	5	Nm
	16-50 mm ²	10	Nm
	-	-	Nm
Max. Operating temperature		80	°C
Weight		100	g
IP-protection		IP20	
Standards	EN 61238-1; EN60947-7-1; UL1059		
Color/ Material	Grey RAL 7035/ PA66		
Mounting/ Connection	DIN-rail mounting		


Description

OTL-connectors are designed to be used connecting and branching aluminium and copper conductors. Bodies are made of tin-plated aluminium.

Drawing

Package

Package	Box	Pcs / Package	20	Weight [kg]	1,70
Length [mm]	210	Width [mm]	155	Height [mm]	105