

Product data

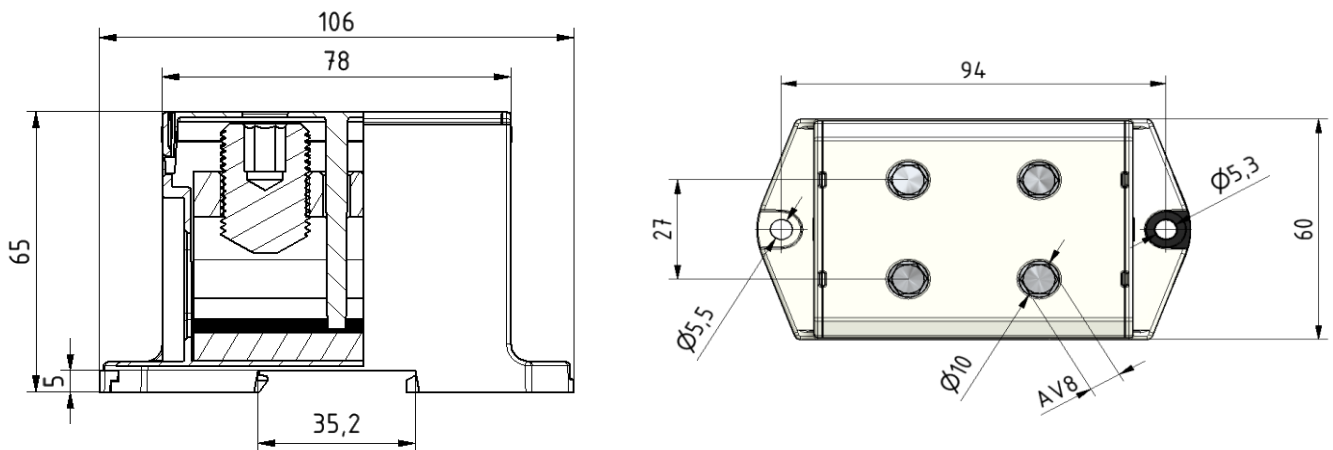
Product code	VC05-0038	STK-code	1914134	EAN-code	6410019141344
Product name	OTL-connector 2xAl/Cu 240mm ² (Blue)				
Wires	2xAl/Cu 240mm ²				

Technical data

Nominal current	Cu	850	A
	Al	760	A
Nominal voltage		690	V
Max. Current (US)	Cu	760	A
	Al	620	A
Max. Voltage (US)		600	V
Number of pole		1	pcs
Max. Cross section		240	mm ²
Tightening torque	35-120 mm ²	26	Nm
	150-240 mm ²	40	Nm
	-	-	Nm
	-	-	Nm
Max. Operating temperature		80	°C
Weight		340	g
IP-protection		IP20	
Standards	EN 61238-1; EN60947-7-1; UL1059		
Color/ Material	Blue RAL 5015/ PA66		
Mounting/ Connection	DIN-rail and screw (M5) mounting		


Description

OTL-connectors are designed to be used connecting and branching aluminium and copper conductors. Bodies are made of tin-plated aluminium.

Drawing

Package

Package	Box	Pcs / Package	3	Weight [kg]	1,00
Length [mm]	210	Width [mm]	155	Height [mm]	105