

**Product data**

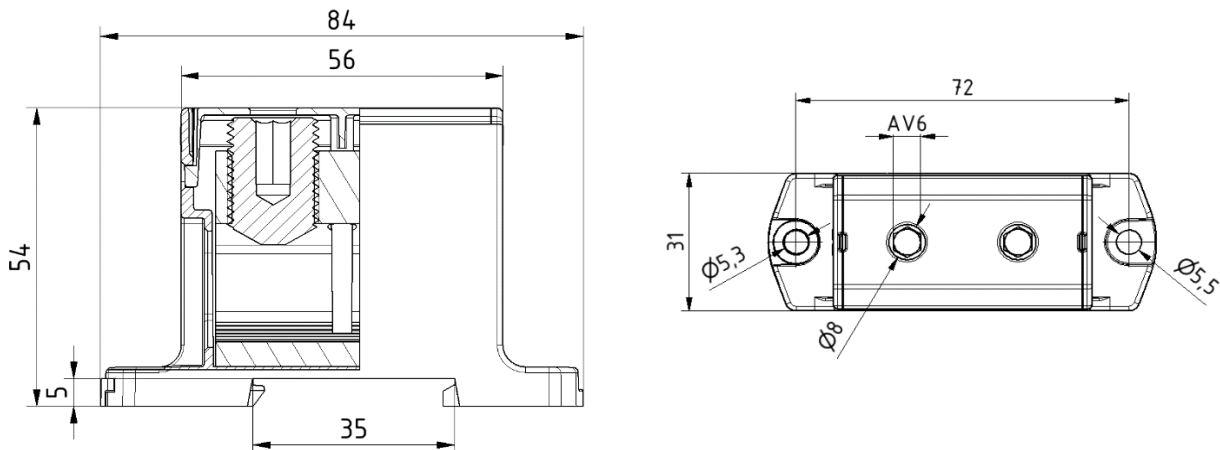
Product code	<b>VC05-0030</b>	STK-code	<b>1914126</b>	EAN-code	<b>6410019141269</b>
Product name	<b>OTL-connector 1xAl/Cu 150mm<sup>2</sup> (Yellow/Green)</b>				
Wires	<b>1xAl/Cu 150mm<sup>2</sup></b>				

**Technical data**

Nominal current	Cu	<b>320</b>	A
	Al	<b>290</b>	A
Nominal voltage		<b>690</b>	V
Max. Current (US)	Cu	-	A
	Al	-	A
Max. Voltage (US)		-	V
Number of pole		<b>1</b>	pcs
Max. Cross section		<b>150</b>	mm <sup>2</sup>
Tightening torque	25-50 mm <sup>2</sup>	<b>14</b>	Nm
	70-120 mm <sup>2</sup>	<b>25</b>	Nm
	150 mm <sup>2</sup>	<b>30</b>	Nm
		-	Nm
Max. Operating temperature		<b>80</b>	°C
Weight		<b>100</b>	g
IP-protection		<b>IP20</b>	
Standards	<b>EN 61238-1; EN60947-7-1</b>		
Color/ Material	<b>Green RAL 6018, Yellow RAL 1016/ PA66</b>		
Mounting/ Connection	<b>DIN-rail and screw (M5) mounting</b>		


**Description**

OTL-connectors are designed to be used connecting and branching aluminium and copper conductors. Bodies are made of tin-plated aluminium.

**Drawing**

**Package**

Package	<b>Box</b>	pcs/ package	<b>10</b>	Weight [Kg]	<b>1,00</b>
Length [mm]	<b>210</b>	Width [mm]	<b>155</b>	Height [mm]	<b>105</b>