

# FDV dokumentasjon

Stikk for DIN SKINNE	Typebetegnelse	Varenummer	EAN	El.nummer
	STIKK. F/DIN-SKINNE M1175-C STIKK. F/DIN-SKINNE M1175-L STIKK. F/DIN-SKINNE M1175-FL STIKK. F/DIN-SKINNE M1175	2CSM211000R0721 2CSM212000R0721 2CSM214000R0721 2CSM210000R0721	8012542029052 8012542028253 8012542028659 8012542027850	1547497 1547498 1547499 1547623
FDV		Ingen krav til periodisk vedlikehold.		

## Tekniske Data

Rated voltage Un	[V]	250
Rated current In	[A]	16
Rated frequency	[Hz]	50/60
Power consumption	[W]	0,6
Modules	[n°]	2,5
Safety shutters		yes, on entire range
Terminal type		positive safety
Cable section (ø min./max.)	[mm <sup>2</sup> ]	2.5 / 16
Tightening torque	[Nm]	1,2
<b>Temperature</b>		
storage	[°C]	-40 ... +70
operating	[°C]	-25 ... +35
Protection degree		IP20
Reference standards		CEI EN 60715, CEI 23-50 (M1173), NF C 61 303 (M1174), DIN VDE 0620-1 (M1175)
Approvals		IMQ (M1173), LCIE (M1174), CEBEC (M1174), VDE (M1175), GOST

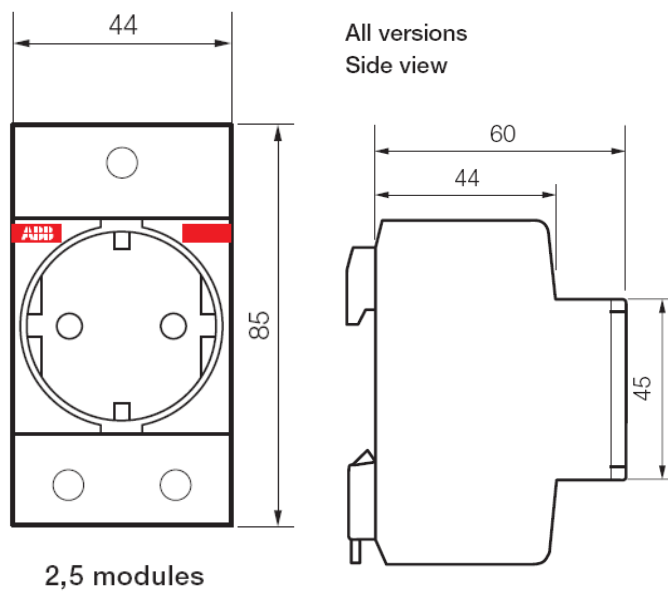
### Technical specifications of indicator light


Type		fluorescent torpedo lamp not replaceable
Function		signal of the presence of voltage
Colour of light		green
Power consumption	[W]	0:25

### Technical specifications of fuse

Type		5 x 20 mm up to 6.3 A aM
------	--	--------------------------

M1175



<b>Produsent</b>	<b>Navn</b>	<b>Adresse</b>	<b>Tlf.</b>		<b>E-post</b>
	ABBAS	Bergerveien12 1396Billingstad	03500		<a href="mailto:automasjonsprodukter@no.abb.com">automasjonsprodukter@no.abb.com</a>