

**Product data**

Product code	<b>VB04-0004</b>	STK-code	<b>5216448</b>	EAN-code	<b>6410052164485</b>
Product name	Shear bolt splice connector ORJA 120-185				
Wires	Al 120-185 mm <sup>2</sup>				

**Technical data**

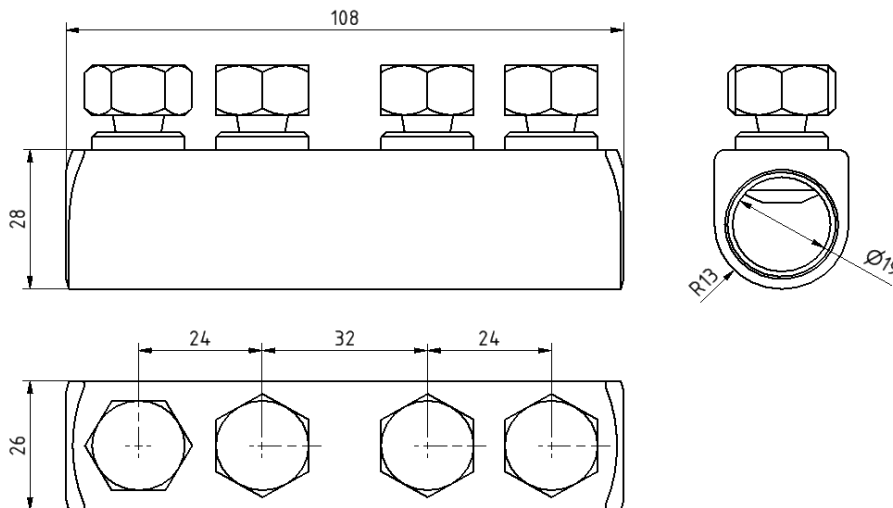
Nominal current	Cu	-	A
	Al	-	A
Nominal voltage		<b>1000</b>	V
Number of pole		<b>1</b>	pcs
Max. Cross section		<b>185</b>	mm <sup>2</sup>
Tightening torque	120-185 mm <sup>2</sup>	<b>36-43</b>	Nm
	-	-	
	-	-	
	-	-	
Max. Operating temperature		-	°C
Weight		<b>157</b>	g
IP-protection		-	
Standards	<b>SFS 2663:1975</b>		
Material/ Coating	<b>Aluminium, no coating</b>		
Mounting/ Connection	<b>Shear head screws</b>		



**Description**

ORJA, Shear bolt splice connector are suitable for aluminium conductors. Solid, stranded, sector shaped and circular conductors are allowed. The installation is made by shear head screws and torque tools are not needed.

**Drawing**



**Package**

Package	<b>Bag</b>	pcs/ package	<b>3</b>	Weight [Kg]	<b>0,47</b>
Length [mm]	-	Width [mm]	-	Height [mm]	-